

HAND TELEPHONE SETS
 HANGING TYPE
 CORDING

1. GENERAL

1.01 This section covers the cording of hand telephone sets covered in Section D351.203 and associated sections and is based on Section C32.163.

1.02 The figures given herein are intended to show only the mechanical arrangement of the cords within the hand set mount-

ing so as to obtain correct anchorage, avoid interference with other parts, etc. For connections refer to connection sections in Subdivision D353.

1.03 The cording of dials of sets provided with 5 type dials equipped with twin contacts shall be as shown in Figs. 11, 12 and 13.

2. MANUAL HAND TELEPHONE SETS

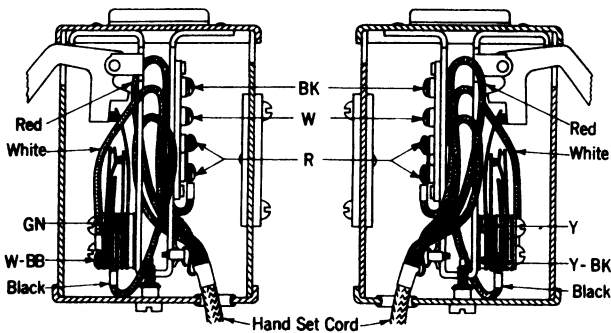


Fig. 1 - 201A Hand Telephone Set

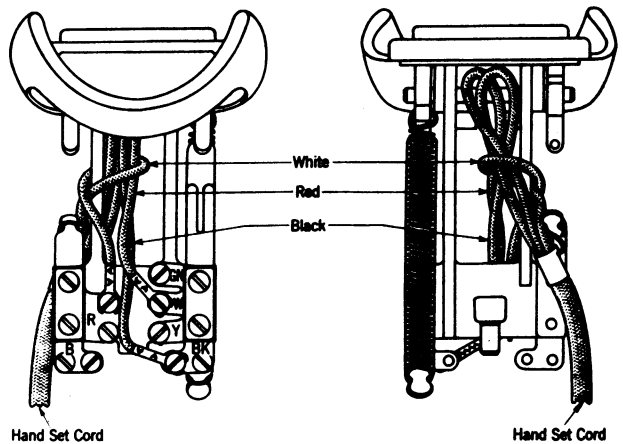


Fig. 3 - 211E Hand Telephone Set

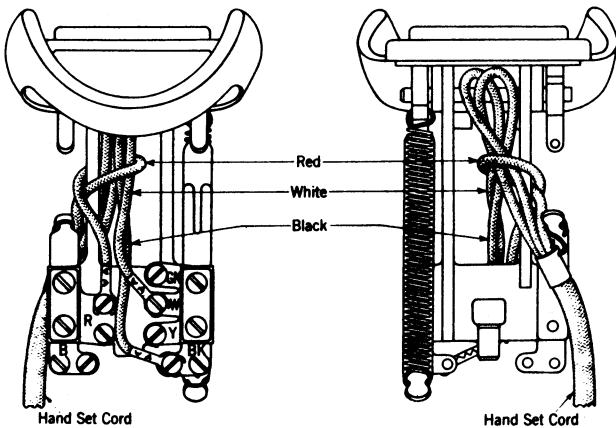


Fig. 2 - 211A Hand Telephone Set

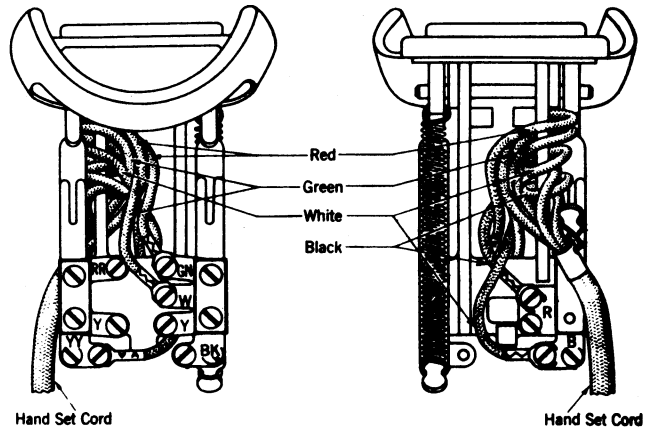


Fig. 4 - 214A Hand Telephone Set

SECTION D353.252

3. DIAL HAND TELEPHONE SETS

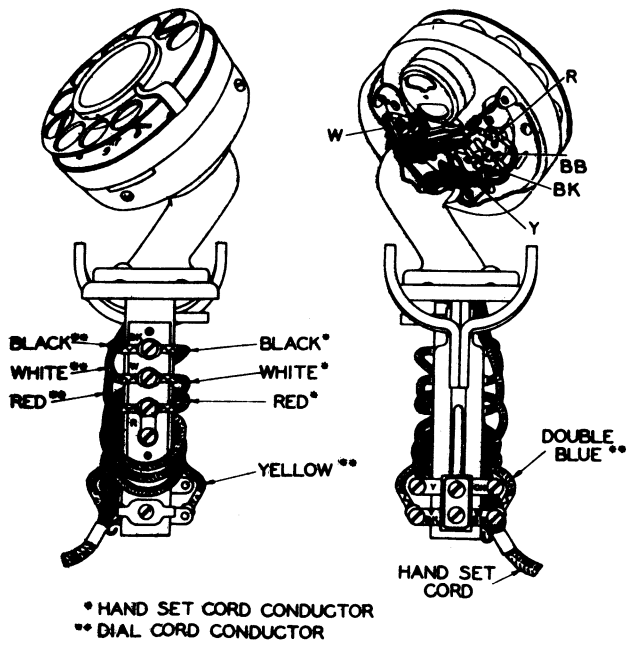


Fig. 5 - 201B, C, D Hand Telephone Sets

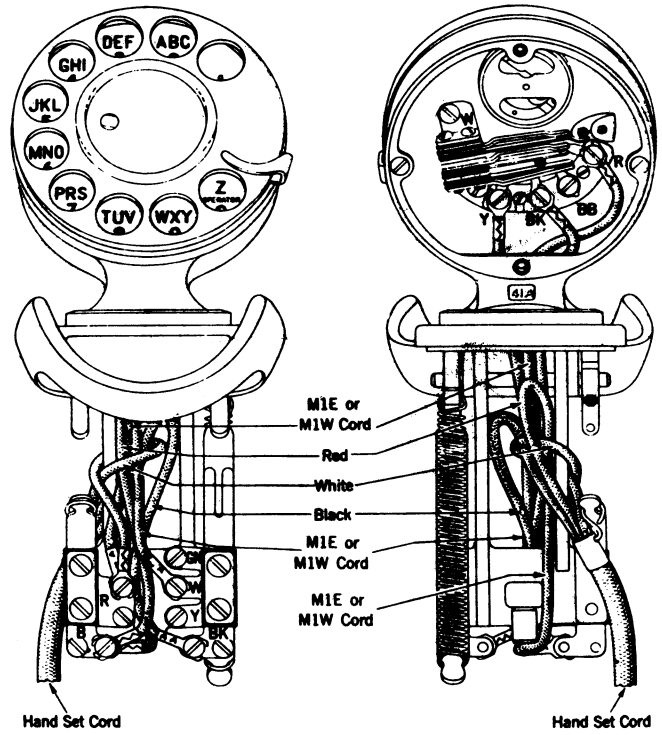


Fig. 7 - 211F, G, H Hand Telephone Sets

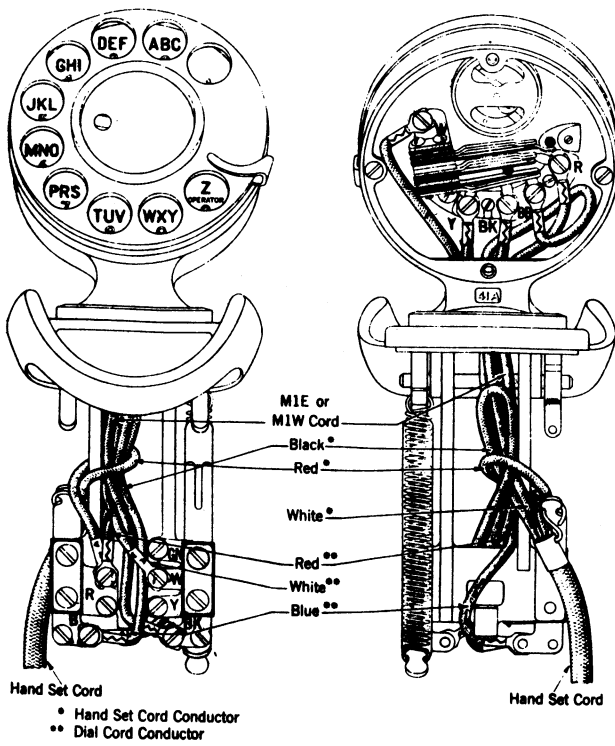


Fig. 6 - 211B, C, D Hand Telephone Sets

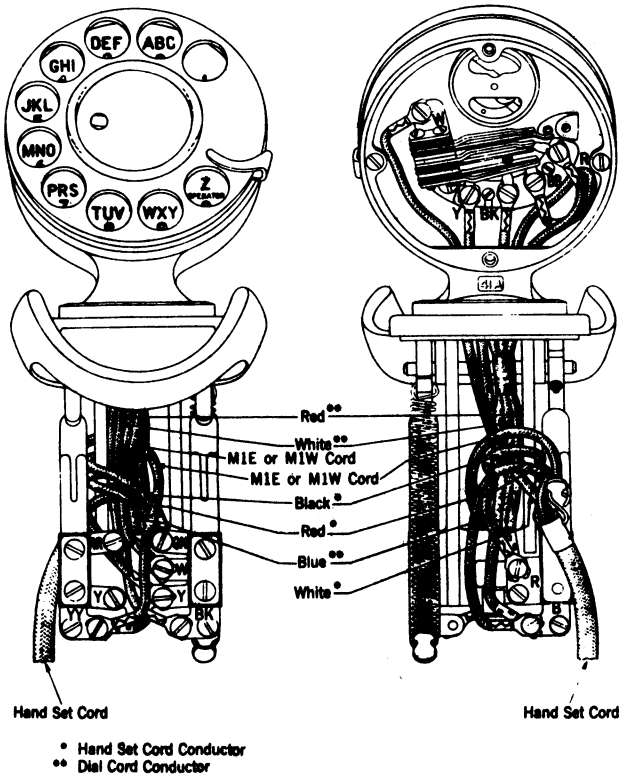


Fig. 8 - 212A, B, C Hand Telephone Sets

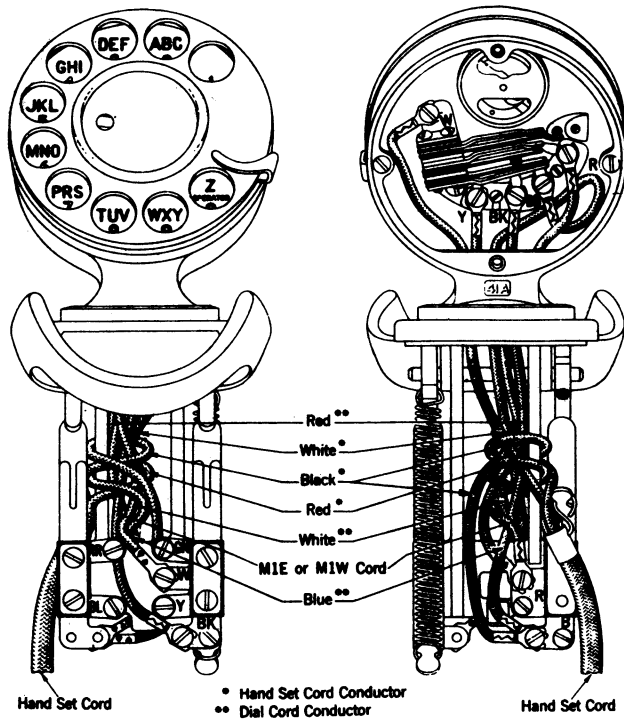


Fig. 9 - 213A, B, C Hand Telephone Sets

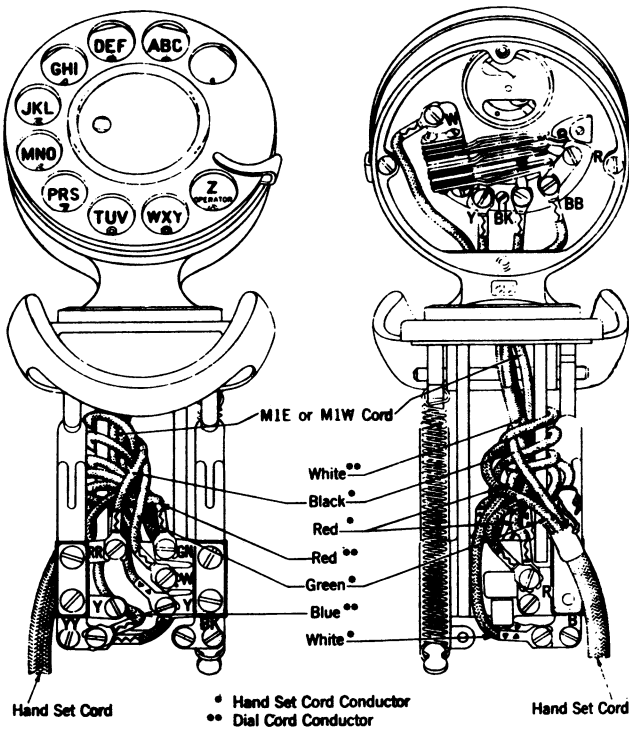


Fig. 10 - 214B, C, D Hand Telephone Sets

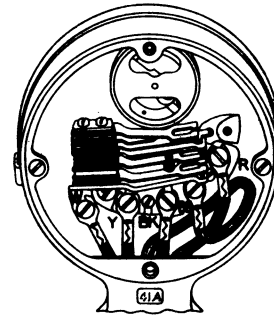


Fig. 11

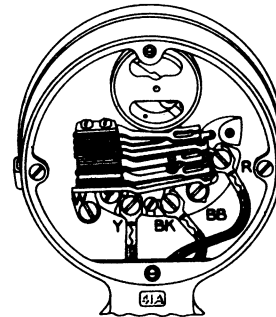


Fig. 12

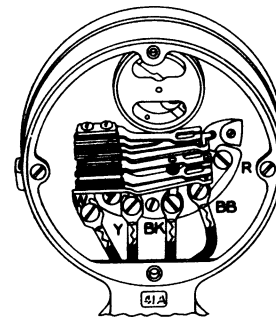


Fig. 13

Figs. 11, 12 and 13 show cording of 5 type dial equipped with twin contacts.